



**Description**

The most durable tag for challenging industrial asset management applications.

**Electrical specifications**

**Device type**  
 UHF RFID / EPCglobal Gen2v2

**Operational frequency**  
 Global 865-928MHz

**IC type**  
 Impinj M780™  
 - EPC 496 bit; User 128 bit; TID 96 bit  
 -NXP UCODE 9xm  
 3 Customer configurable memory options:  
 1.EPC 128 bit; User 752 bit; TID 96 bit  
 2.EPC 256 bit; User 624 bit; TID 96 bit  
 3. EPC 496 bit; User 384 bit; TID 96 bit

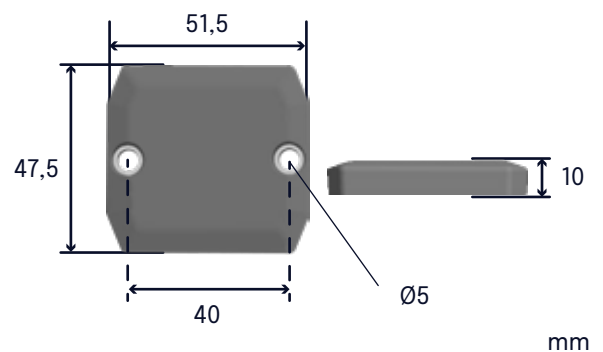
**EPC memory content**  
 Unique number encoded as a default

**Read range (2W ERP)\***  
 M780=U9xm (Global)  
 -On metal up to 20 m / 65 ft  
 -On plastic up to 8 m / 26 ft

**Applicable surface materials\***  
 Works on any material but optimized for metal.

\* Read ranges are theoretical values that are calculated for non reflective environment. Different surface materials may influence performance.

**Mechanical specifications**



**Tag materials**  
 High quality engineering plastics. Surface hermoplastic elastomer.

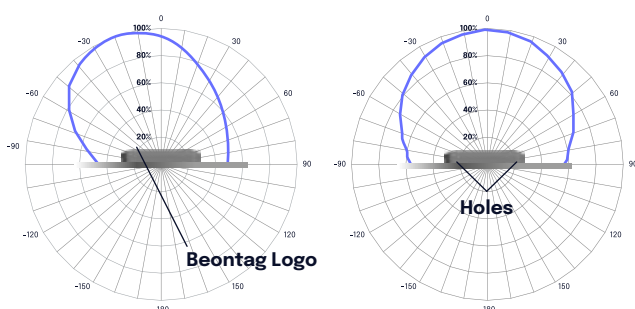
**Delivery format**  
 Single

**Amount in box**  
 500 pcs

**Weight**  
 22g

**Dimensions**  
 51,5 x 47,5 x 10 mm/  
 2.03 x 1.87 x 0.39 in

**Radiation pattern**



**Personalization options**

**Pre-encoding**  
 Customer specific encoding of EPC or user memory. Locking permanently or with password.

**Customized laser engraving**  
 Customer specific layout including logo, text, numbers.



## Environmental resistance

### Operating temperature

-40°C to +85°C / -40°F to +185°F

### Ambient temperature

-55°C (for 3h) to +105°C / -67°F (for 3h) to +221°F

### Peak temperature

+125°C / +257°F 1h duration

### IP classification

IP68

### Weather ability

Excellent, including UV-resistance and sea water

### Vibration resistance

JESD22-B103B, service condition 2; vibration that is aligned with tag thickness (z-axis)

### Chemical resistance

No physical or performance changes in:

- 168 hour Motor oil exposure
- 168 hour Salt water (salinity 10%) exposure
- 168 hour Sulfuric acid (10%, pH 2) exposure
- 24 hour NaOH (10%, pH 13) exposure

Generally good against: Methanol (moderate concentrations), ethanol (moderate concentrations), glycerine, ethylene glycol, consistent grease, most acids, bases and tensides such as sulfuric acid 96%, nitric acid 10%, NaOH 50%, soap solution 30%. Testing recommended for hydrocarbons and carboxylic acids. Acetone should be avoided.

### Expected lifetime

Years in normal operating conditions

Values in the table are the best recommendations; resistance against environmental conditions depends on the combination of all influencing factors, exposure duration and chemical concentrations. Thus, product's final suitability for certain environmental conditions is recommended to be tested. Contact Beontag for more specific information.



## Installation instructions

Beontag Heatwave Ultra can be attached with several fixing methods:

### 1. 3M 300LSE high performance acrylic adhesive

When background adhesive is ordered the tag is delivered with adhesive attached. Clean and dry the surface for obtaining the maximum bond strength. Ideal application temperature is from +21°C to +38°C (+70°F to +100°F), bond strength can be improved with firm application pressure and moderate heating from +38°C to +54°C (+100°F to +130°F). Installation at temperatures below 10°C (50°F) is not recommended.

### 2. Structural adhesive

Structural adhesives such as 3M DP110 and SikaFast 5215 provide very high bond strength and resistance against mechanical stress. When tag is attached with structural adhesive, insert a layer of adhesive under the tag and press the tag on the surface. Increase the bond by adding extra sealant from the tag holes. Insert maximum 2mm layer of adhesive under the tag. Please contact adhesive supplier for exact fixing instructions.

### 3. Mechanical fixing - Screws M4, pop rivets 4mm

Mechanical fixing is always recommended for applications that includes risk for high mechanical stress or low temperature during the fixing. Make sure there is no air gap left in between the metal surface and tag.

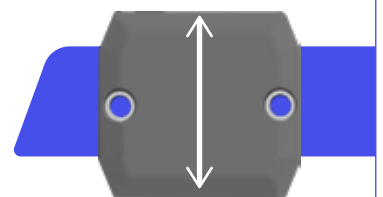
### 4. Additional fixing tools - welding bracket



When the application is too demanding for adhesives, but the metal surface cannot be punched for screw or rivet fixing, welding the tag with special bracket is an option for attachment. Welding bracket is made of stainless steel and allows attachment on both flat and curved surfaces.

With all attachment methods the optimal performance is achieved when there is metal left above the tag. Tag orientation as shown with arrow should be considered when using linear reader antennas.

Leave metal above the tag





### Order information

Product number: **3004166**Product Name: **Beontag Ironside Classic M780**Product number: **3005092**Product Name: **Beontag Ironside Classic 9xm**

For other versions, additional information and technical support please contact Beontag.

### DISCLAIMER

THE MATERIALS, PRODUCTS AND SERVICES ARE SOLD SUBJECT TO ITS STANDARD CONDITIONS OF SALE, WHICH ARE INCLUDED IN THE APPLICABLE DISTRIBUTOR OR OTHER SALES AGREEMENT. ALTHOUGH ANY INFORMATION, RECOMMENDATIONS, OR ADVICE CONTAINED HEREIN IS GIVEN IN GOOD FAITH, BEONTAG AND ITS AFFILIATES MAKES NO WARRANTY OR GUARANTEE, EXPRESS OR IMPLIED, (i) THAT THE RESULTS DESCRIBED HEREIN WILL BE OBTAINED UNDER END-USE CONDITIONS, OR (ii) AS TO THE EFFECTIVENESS OR SAFETY OF ANY DESIGN INCORPORATING ITS PRODUCTS, MATERIALS, SERVICES, RECOMMENDATIONS OR ADVICE. EXCEPT AS PROVIDED IN CONFIDEX STANDARD CONDITIONS OF SALE, CONFIDEX AND ITS REPRESENTATIVES SHALL IN NO EVENT BE RESPONSIBLE FOR ANY LOSS RESULTING FROM ANY USE OF ITS MATERIALS, PRODUCTS OR SERVICES DESCRIBED HEREIN.

Each user bears full responsibility for making its own determination as to the suitability of Beontag products, materials, services, recommendations, or advice for its own particular use. Each user must identify and perform all tests and analyses necessary to assure that its finished systems incorporating Beontag products, materials, or services will be safe and suitable for use under end-use conditions. Nothing in this or any other document, nor any oral recommendation or advice, shall be deemed to alter, vary, supersede, or waive any provision of this Disclaimer, unless any such modification is specifically agreed to in a writing signed by Beontag.

## About Beontag

From the science of graphic and label materials, RFID and wireless IoT enablers, we create solutions across the value chain to deliver digital transformation for businesses around the world.

Sustainability is at the core of what we do and we strongly believe that by substituting non-renewable materials and innovating through more sustainable and renewable products, we act as an ESG enabler for our customers' value chain.

Beontag is one of the world's leading providers of RFID and wireless IoT solutions, being present in more than 40 countries with 7 R&D centers and 2,000 employees, in constant development of technological and sustainable solutions designed to connect items, and gain efficiency and end-to-end traceability.

CONTACT US FOR  
MORE INFORMATION:  
**beontag.com**

The performance of the product should always be tested in the actual application conditions. Our recommendations are based on our most current knowledge and experience and the pictures and illustrations presented in this document are for illustration purposes only. As our products are used in conditions beyond our control, we cannot assume any liability for damage caused through their use. Beontag reserves the right to change its products and services at any time without notice.

